

360° LED WARNING LAMP

CUSTOMER:
PETERSON MANUFACTURING

SERVICES:

- PROJECT MANAGEMENT
- INDUSTRIAL DESIGN
- MECHANICAL DESIGN
- GRAPHIC DESIGN
- 3D CAD MODELING
- DETAIL DRAWINGS
- PACKAGING DESIGN
- INSTRUCTION MANUAL

DESIGN CRITERIA:

- THERMAL MANAGEMENT
- ENVIRONMENTAL RESISTANCE
- OPTICAL OUTPUT
- DESIGN FOR ASSEMBLY
- DESIGN FOR MANUFACTURING



TRAILER INFOLINK CENTER

CUSTOMER:
MERITOR WABCO

SERVICES:

- PROJECT MANAGEMENT
- INDUSTRIAL DESIGN
- MECHANICAL DESIGN
- GRAPHIC DESIGN
- STRESS ANALYSIS
- 3D CAD MODELING
- DETAIL DRAWINGS
- PACKAGING DESIGN

DESIGN CRITERIA:

- USER INTERFACE
- COMPACT SIZE
- AUDIBLE OUTPUT
- VERSATILE MOUNTING
- DESIGN FOR ASSEMBLY
- DESIGN FOR MANUFACTURING



**GLOWS AMBIENT LIGHT
EMITTER**

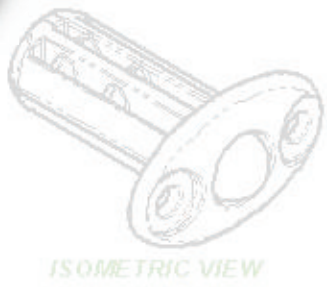
**CUSTOMER:
FORD MOTOR COMPANY**

SERVICES:

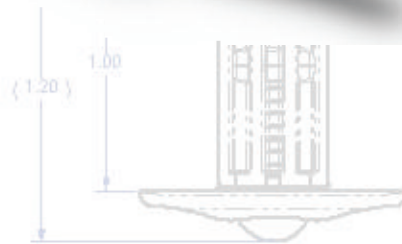
- INDUSTRIAL DESIGN
- MECHANICAL DESIGN
- OPTICAL DESIGN
- OPTICAL SIMULATION
- 3D CAD MODELING
- DETAIL DRAWINGS

DESIGN CRITERIA:

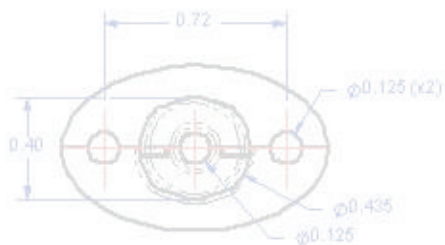
- OPTICAL OUTPUT
- COMPACT SIZE
- VERSATILE MOUNTING
- DESIGN FOR ASSEMBLY
- DESIGN FOR MANUFACTURING



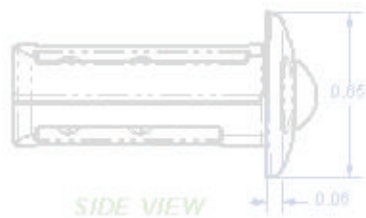
ISOMETRIC VIEW



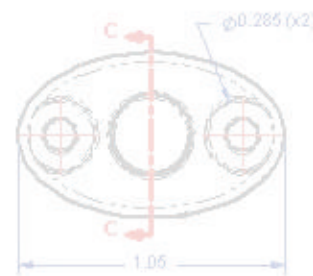
FRONT VIEW



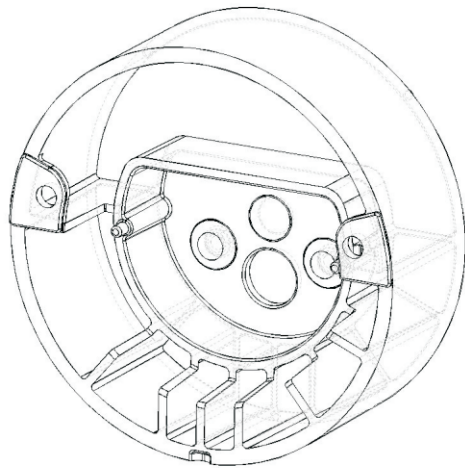
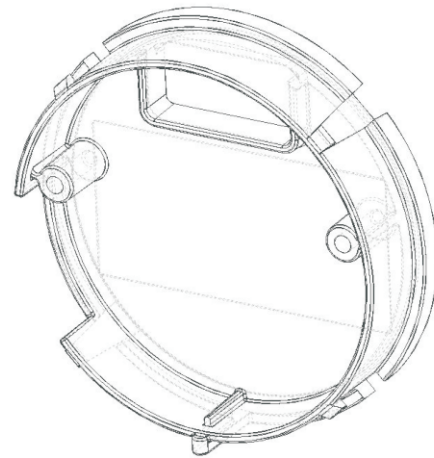
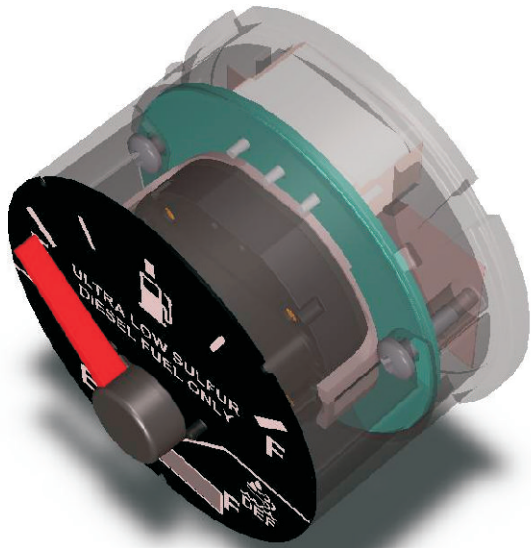
BOTTOM VIEW



SIDE VIEW



(PL
BLA



DIESEL FUEL GAUGE

CUSTOMER:
FREIGHTLINER

SERVICES:

- PROJECT MANAGEMENT
- INDUSTRIAL DESIGN
- MECHANICAL DESIGN
- GRAPHIC DESIGN
- 3D CAD MODELING
- DETAIL DRAWINGS

DESIGN CRITERIA:

- LED ILLUMINATION
- DESIGN FOR ASSEMBLY
- DESIGN FOR MANUFACTURING



WESTERN STAR TRUCKS®



TACH-HOURMETER GAUGE

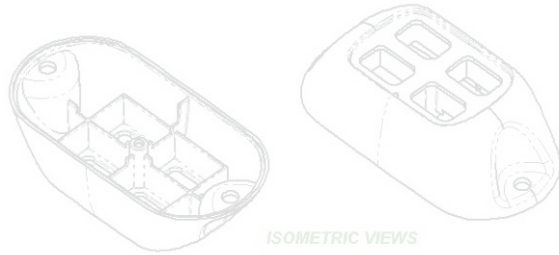
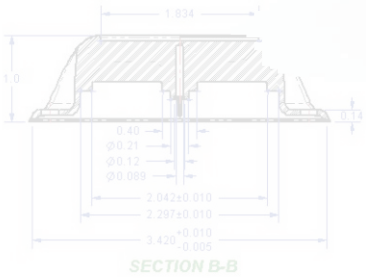
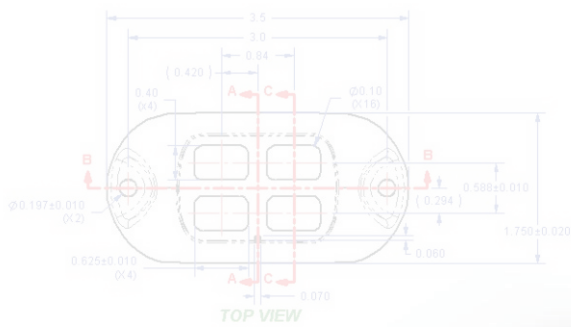
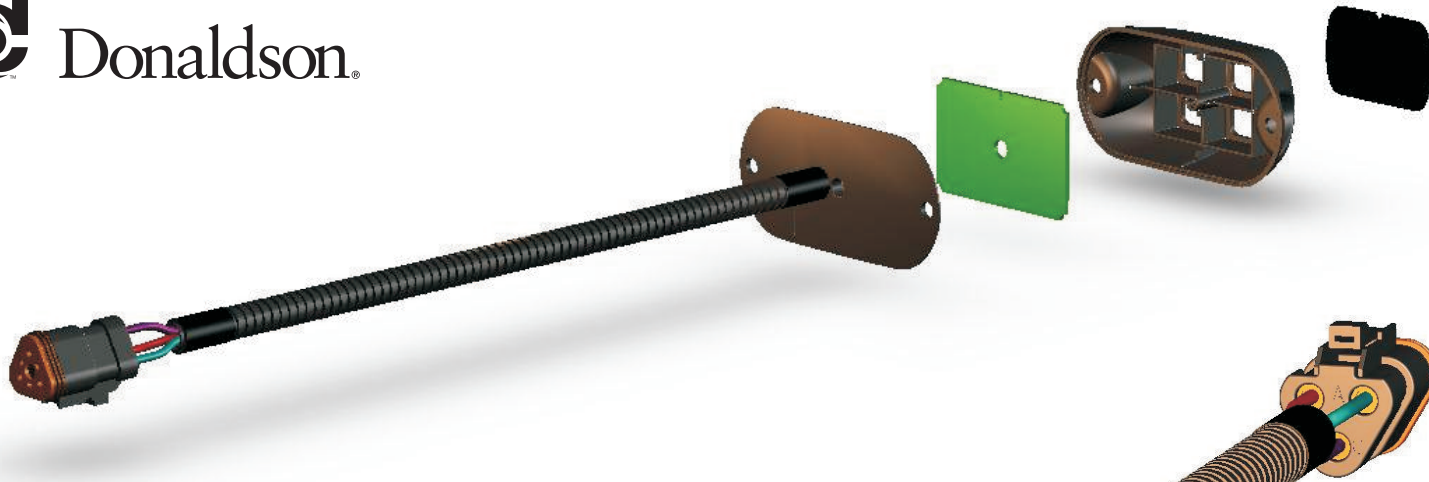
CUSTOMER:
WESTERN STAR TRUCKS

SERVICES:

- PROJECT MANAGEMENT
- INDUSTRIAL DESIGN
- MECHANICAL DESIGN
- GRAPHIC DESIGN
- OPTICAL DESIGN & SIMULATION
- STRESS ANALYSIS
- 3D CAD MODELING
- DETAIL DRAWINGS

DESIGN CRITERIA:

- LED ILLUMINATION
- LOW PROFILE
- ENVIRONMENTAL RESISTANCE
- DESIGN FOR ASSEMBLY
- DESIGN FOR MANUFACTURING



**EXHAUST SYSTEM
INDICATOR MODULE**

**CUSTOMER:
DONALDSON**

SERVICES:

- INDUSTRIAL DESIGN
- MECHANICAL DESIGN
- GRAPHIC DESIGN
- 3D CAD MODELING
- DETAIL DRAWINGS

DESIGN CRITERIA:

- USER INTERFACE
- COMPACT SIZE
- LED ILLUMINATION
- DESIGN FOR ASSEMBLY
- DESIGN FOR MANUFACTURING



**ELECTRONIC CONTROL
MODULE**

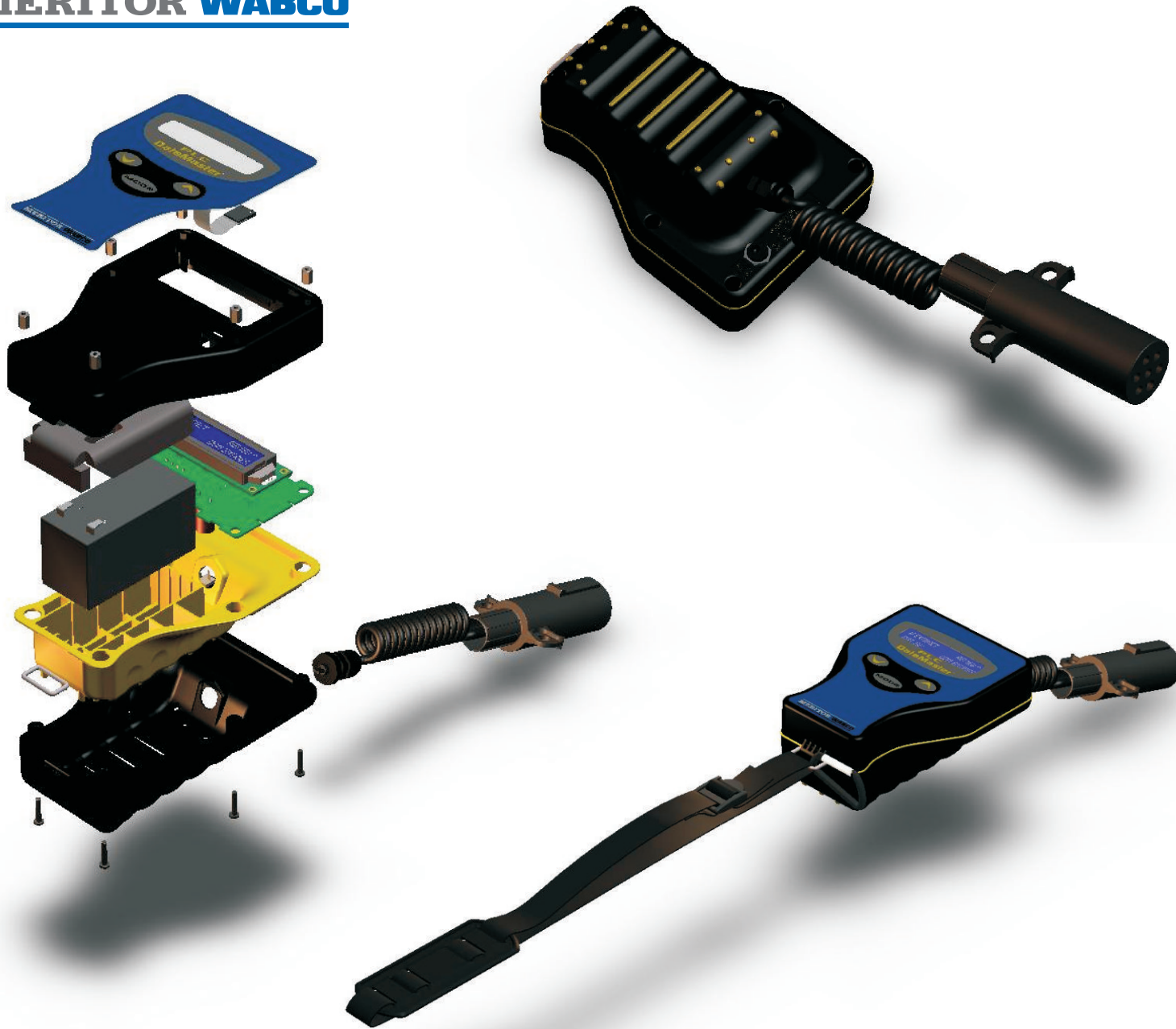
**CUSTOMER:
POLARIS**

SERVICES:

- INDUSTRIAL DESIGN
- MECHANICAL DESIGN
- 3D CAD MODELING
- DETAIL DRAWINGS

DESIGN CRITERIA:

- ENVIRONMENTAL RESISTANCE
 - PART CONSOLIDATION
 - DESIGN FOR ASSEMBLY
 - DESIGN FOR MANUFACTURING
-



TRAILER INFORMATION DATA EXTRACTOR

CUSTOMER:
MERITOR WABCO

SERVICES:

- PROJECT MANAGEMENT
- INDUSTRIAL DESIGN
- MECHANICAL DESIGN
- GRAPHIC DESIGN
- STRESS ANALYSIS
- 3D CAD MODELING
- DETAIL DRAWINGS
- PACKAGING DESIGN

DESIGN CRITERIA:

- IMPACT RESISTANCE
- ENVIRONMENTAL RESISTANCE
- USER INTERFACE
- PORTABILITY
- DESIGN FOR ASSEMBLY
- DESIGN FOR MANUFACTURING

ANALOG TO DIGITAL GATEWAY MODULE

CUSTOMER:
AUTOCAR

SERVICES:

- MECHANICAL DESIGN
- STRESS ANALYSIS
- 3D CAD MODELING
- DETAIL DRAWINGS

DESIGN CRITERIA:

- ENVIRONMENTAL RESISTANCE
- PART CONSOLIDATION
- DESIGN FOR ASSEMBLY
- DESIGN FOR MANUFACTURING

